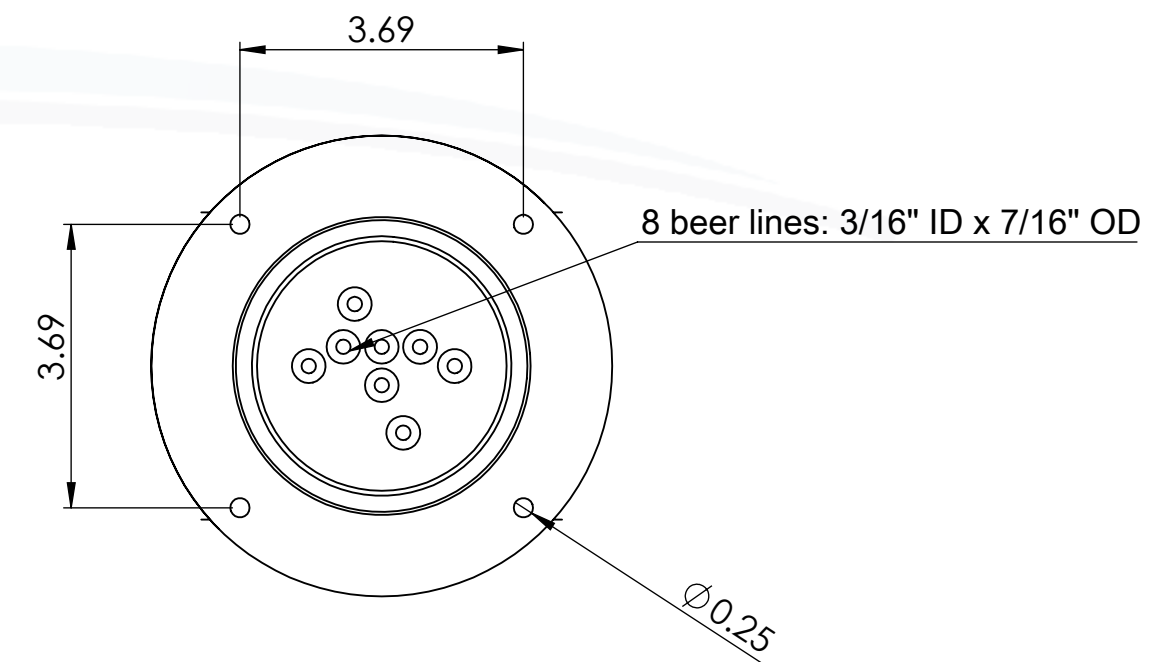


Isometric View
(For reference purpose only)



DETAIL A
SCALE 2 : 5

304SS tube connected to CBS NSF Flexible
Total Barrier Tubing to 15lbs of Restriction

Suggested Drip Tray:
BB701330 - 30" x 7" BSS Drip Tray
BB702430 - 30" x 7" BSS Spray Drip Tray



Name		Date	Title	
Drawn By:	Chillmax Beverages Solutions, LLC	09/11/2024	8 T (3"OC) BSS Condor Tower CH-MX AIR	
Approved By:	Production Manager		Part Number:	Revision:
Material:	304 SS	Finish:	Brushed SS	BB101810-08AC
Unless otherwise mentioned, dimensions are inches			Scale:	1:5